

# Through Hole Test Points

**E=Mark** INC.



E-Mark introduces an expanded range of through hole test points to add increasing flexibility to its broad range of test points. Both single and double sided pins are offered in designs allowing secure attachment of scope probes. Designed to be soldered into the PCB these robust designs are sold in multiples of 100 pieces.

*All dimensions shown are mm.*

## Dimensions

Figure 1

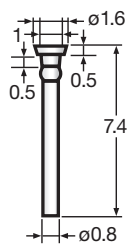


Figure 2

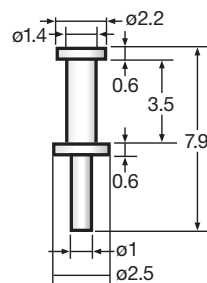


Figure 3

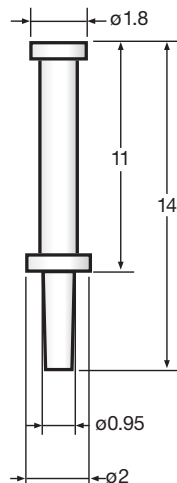
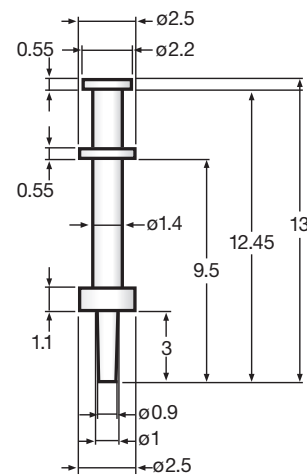


Figure 4



## Ordering Information

Part Number	Description	Material/Finish	PCB Hole Diameter	Figure	Dimension A
89-1154	Round/Bottom Entry	CU/Tin	1.0 +.01/-0	1	7.4
89-1155	Single Turret	Brass/Gold	1.0 +0.1/-0	2	7.9
89-1156	Single Turret/Tall	CU/Gold	1.0 +0.1/-0	3	14.0
89-1157	Dual Turret	CU/Gold	1.0 +0.1/-0	4	13.0